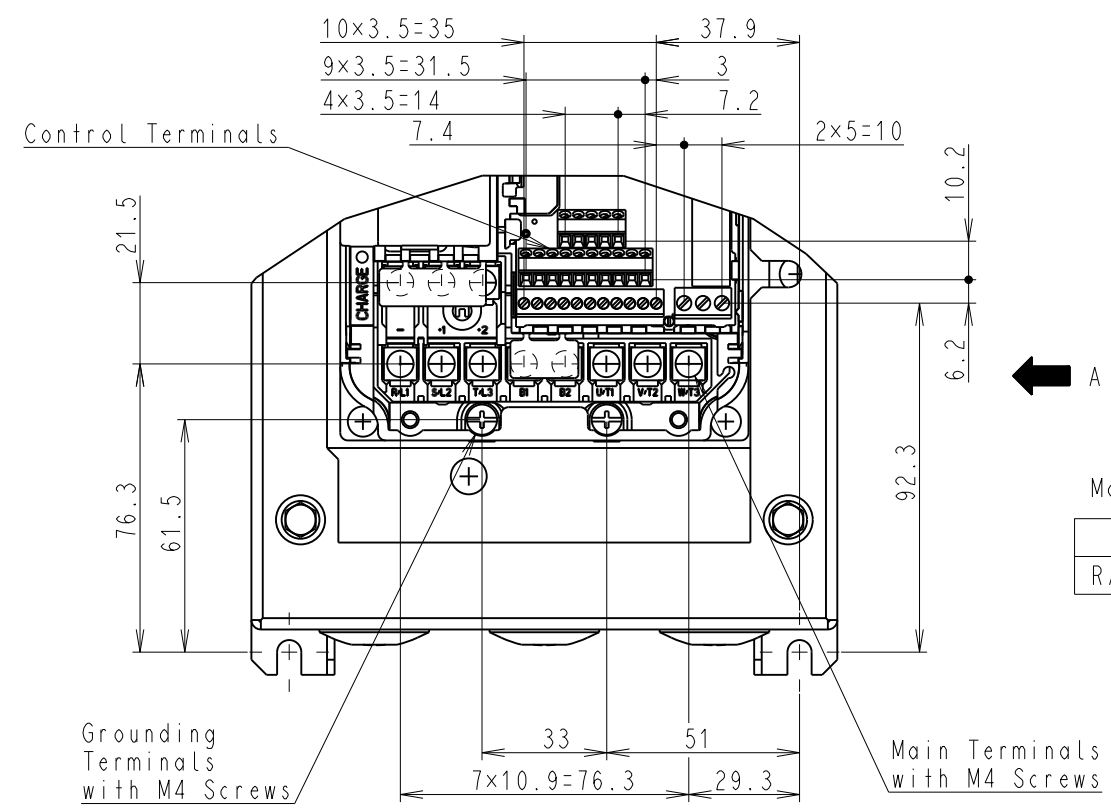
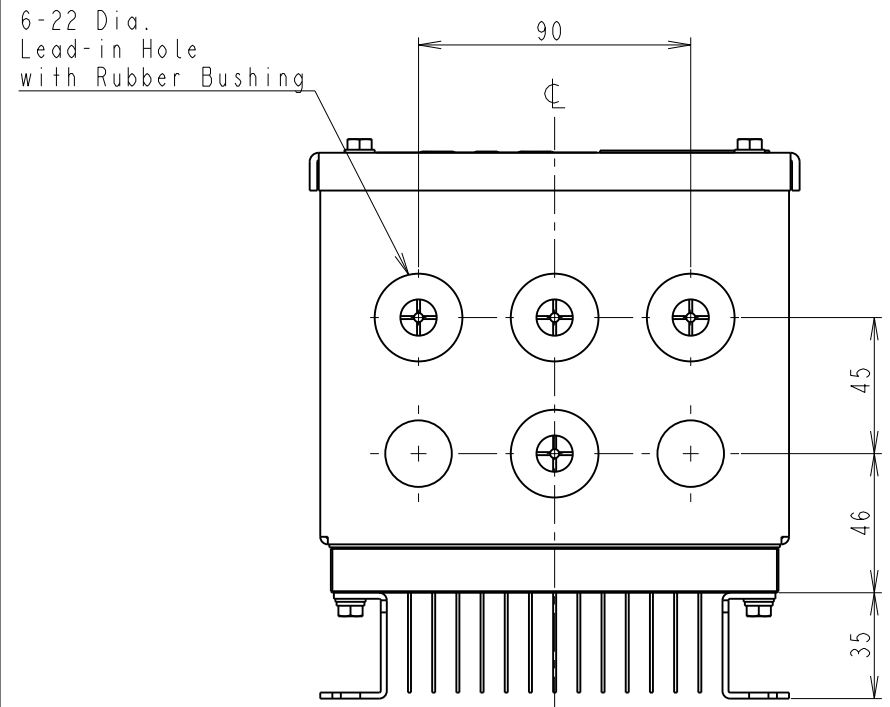
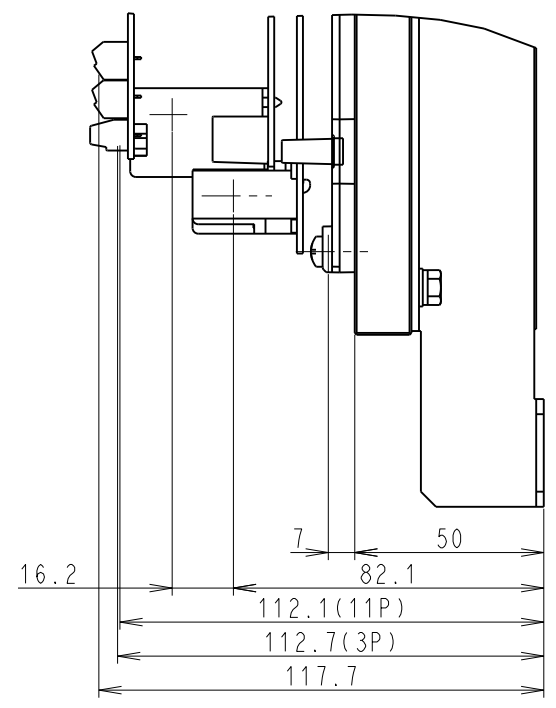
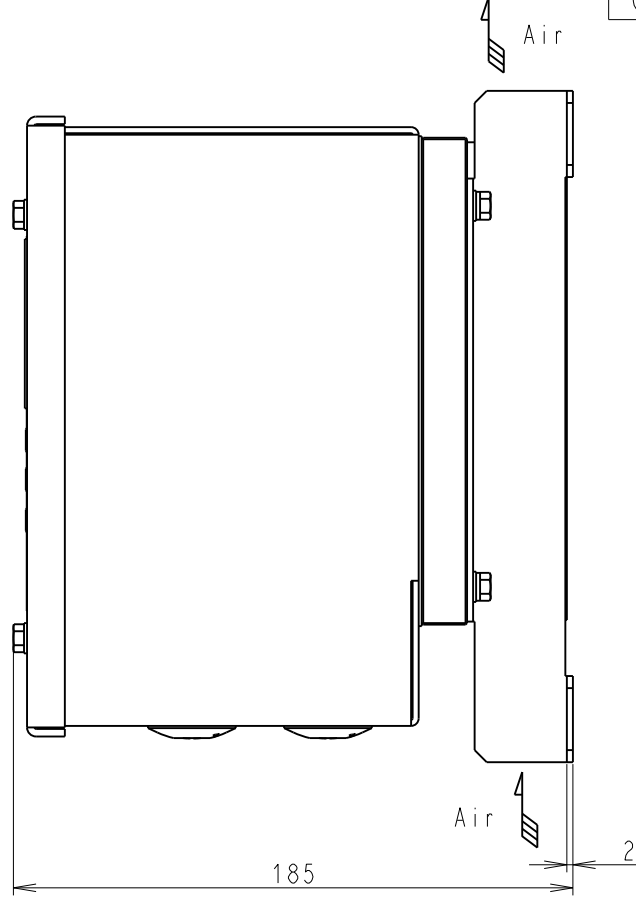
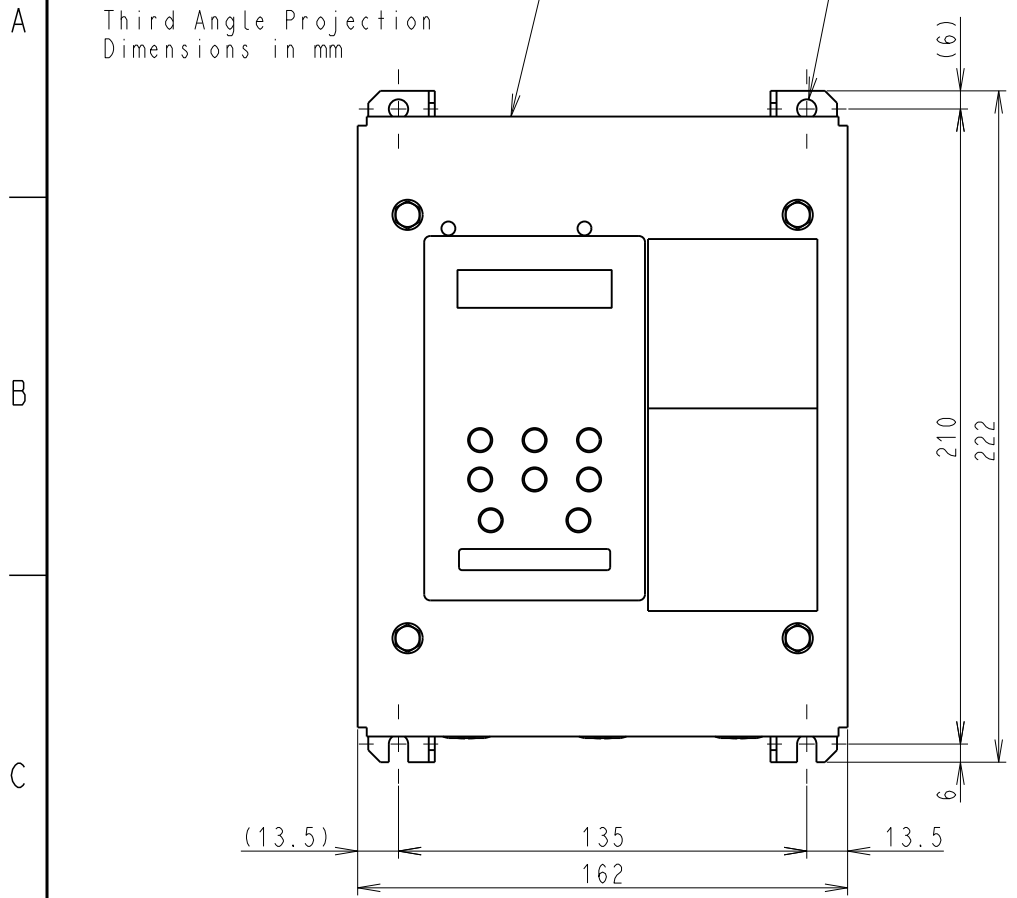


DWG. NO. EZZ901731-1/1

Model No.	Max Appli. Motor (kW)		Terminal Symbol			Cooling Fan	Mass (kg)			
	Normal Duty	Heavy Duty	INPUT OUTPUT(MOTOR)							
CIMR-V#4A0004G	1.5	0.75	R/L1	S/L2	T/L3	U/T1	V/T2	W/T3	-	5.1



View A

Main Terminal Location

-	+1	+2					
R/L1	S/L2	T/L3	B1	B2	U/T1	V/T2	W/T3

Detail (without Front cover) SCALE 1:2

REVISIONS			DRAW. Jul.17,2008 K. Isomoto	TITLE V1000 NEMA4X/IP66 TYPE	DWG. NO. EZZ901731	REV. 1
			CHECK Jul.17,2008 K. Fukuda			
			APPR. Jul.17,2008 H. Okayama			
SCALE 1 : 2.5			DIMENSION DIAGRAM			